

# TM-U295

ESC/POS®

Slip Printer

The world's smallest slip printer, perfect for POS terminals.



Just 1.5kg and ultra-compact, the TM-U295 is the world's smallest slip printer.

Select from among four print sizes and four printing directions, or use page mode to tell the printer where to print on the page. The TM-U295 is also equipped with a host of user friendly features, such as an easy-to-operate touch panel and an automatic paper eject function. And for the widest range of applications, connect the TM-U295 to an EPSON Intelligent Module.

## AT A GLANCE

- Clear, easy to read function buttons
- 35/42 column capacity
- 1+4 original printing capability
- MCBF rating of approx 7 million lines

# Slip Printer **TM-U295**

## World's Smallest Slip Printer

Measuring a mere 180mm(W) x 190.5mm(D) x 101.5mm(H) and weighing in at only 1.6kg, the TM-U295 is the world's smallest slip printer. The small size and simple design of this printer make it a good match for any business.

## Variety of Printing Formats

With four character sizes and four printing directions, the TM-U295 flexibility adapts to your slip printing needs. Further, you can use page mode to print characters practically anywhere on the slip.

## User Friendly

Features such as an easy-to-use touch panel and automatic paper feedout maximize user friendliness. In addition, the ASB function, which automatically sends the status of the printer, enables the operator to monitor the printer status.



## NT and IT Series Connectivity

The TM-U295 can be used with EPSON's Intelligent Modules, saving space and offering a broad range of applications choices for your business.

## ESC/POS®

The TM-U295 conforms to the world-standard EPSON ESC/POS command system. High expandability and easy upgradability ensure efficient use of existing software assets.

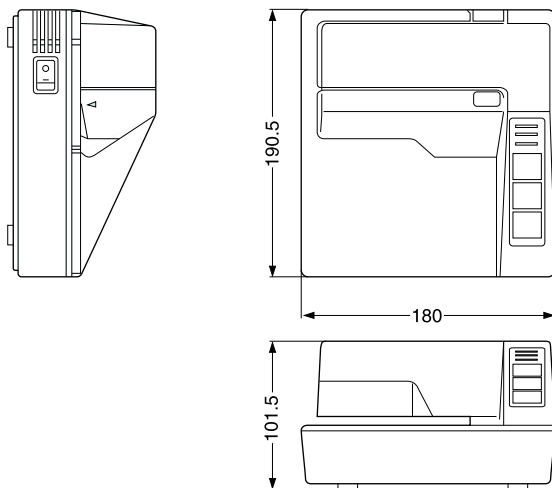
## Superb Reliability

EPSON's world-renowned quality and reliability are reflected in every component and mechanism of the TM-U295, ensuring products unsurpassed in performance and dependability.

ESC/POS is a registered trademark of SEIKO EPSON CORPORATION.  
EPSON is a member of OPOS committee.

## APPEARANCE

Units: mm



## OPTION

### POWER SUPPLY



#### PS-170

INPUT: 100-240V AC  
OUTPUT: 24 VCD, 2.0A  
Plug: 3P Power Jack  
Safety standards: UL, CSA, TÜV

Specifications are subject to change without notice.

## SPECIFICATIONS

<b>Print method</b>	7-pin, shuttle impact dot matrix
<b>Print Font</b>	5 x 7 / 7 x 7
Column capacity	35 / 42 columns
Character size	1.6(W) x 2.9(H)mm / 1.3(W) x 2.9(H)mm
Character set	95 Alphanumeric, 32 International, 128 x 3 Graphic
Characters Per Inch	13.5CPI / 16.2CPI
<b>Print Speed</b>	2.1LPS
<b>Data Buffer</b>	512 bytes or 35 bytes
<b>Interface</b>	RS-232C / Bi-directional parallel
<b>Paper Dimensions</b>	Slip: 80(W) x 69(L) to 182(W) x 257(L)mm
<b>Paper Thickness</b>	0.09 to 0.035mm
<b>Copy Capability</b>	One original and two copies
<b>Inked Ribbon</b>	ERC-27 (purple)
<b>Ribbon Life</b>	15 x 10 <sup>5</sup> characters
<b>Power</b>	24 VDC ± 10%
<b>Current Consumption</b>	Approx. 600mA (at 24VDC)
<b>D.K.D. Function</b>	2 drivers
<b>Reliability</b>	MTBF 18 x 10 <sup>4</sup> hours
MCBF	7 x 10 <sup>6</sup> lines
<b>Overall Dimensions</b>	180(W) x 190.5(D) x 101.5(H)mm
<b>Weight</b>	Approx 1.6kg
<b>EMC Standards</b>	VCCI#1, FCC class A, CE marking
<b>Safety Standards</b>	UL / C-UL / TÜV

EPSON AUSTRALIA PTY LTD.

70 Gibbes Street, Chatswood NSW 2067 Tel: (02) 9903 9000 Fax: (02) 9903 9177 www.epson.com.au

AVAILABLE FROM:

**EPSON**  
RETAIL SOLUTIONS