

Lexmark X860 Series

Lexmark X860de models

Lexmark X864de

- A3
- PRINT
- COPY
- SCAN

- FAX
- Up to 55 ppm
- DUPLEX
- NETWORK



Full multifunction power for all
your business needs



LEXMARKTM

Print Less. Save More.

Print less? This may seem like a surprising message for a company dedicated solely to printing. But when you consider that businesses spend on average up to 6% of their revenue on printing and that active print management can cut office print costs by up to 30%¹, it makes a lot of sense. Lexmark products, solutions and services provide innovative ways to save you time, drive down costs and reduce your impact on the environment. We are committed to helping you print less and save more.

¹ Source: InfoTrends/CapVentures, Network Document Solutions Forecast 2007-2012, Network Document Solutions Consulting Service, August 2008

Built for your most demanding document needs, these powerful multifunction devices support media sizes up to 11 x 17 inches (tabloid) and deliver print and copy speeds as fast as 55 pages per minute. You'll benefit from flexible paper handling, advanced finishing options, leading-edge security and the simplicity of Lexmark's user-friendly e-Task colour touch screen. Best of all, Lexmark X860 Series MFPs are solutions-ready. Gain real momentum by adding application solutions tailored to the way you work.



Powerful information hub

The Lexmark X860 Series is built for speed, engineered for endurance and designed to take your productivity to the next level. These powerful devices bring serious multifunction muscle to your work team, while making it easy to manage and share information in less time, at lower cost.

- Models ranging from 35 ppm to 55 ppm, all available with optional fax
- All models include Lexmark's Embedded Solutions Framework, the solutions platform that lets you install tailored print and imaging solutions on the MFP and drive them from the touch screen
- Hard disk comes standard, providing expanded functionality
- Gigabit networking is also standard, ensuring fast data transfer



State-of-the-art security

For added peace of mind, Lexmark X860 Series MFPs include state-of-the-art features for secure management, network communication and information storage. What's more, they offer customisable user-access controls, which let you enable or disable functions with ease.

- IPSec, SNMPv3 and 802.1x network security
- Secure data encryption and disk wiping
- Cutting-edge access restrictions, including LDAP
- Proactively tracks and identifies security risks



Versatile document management

Optimise your print and imaging experience without burdening your budget. Lexmark X860 Series MFPs produce outstanding results over a broad range of media sizes and types, including labels and card stock. An impressive selection of paper handling and finishing options let you equip your Lexmark X860 with a variety of tools to create the highest-quality documents in-house, saving you time and money.

- 75-sheet automatic document feeder lets you efficiently scan or copy multipage two-sided originals up to 11 x 17 inches (tabloid size)
- Add a 2,000-sheet input option for high-volume printing or copying
- Extra-input models available: up to 3,100 sheets standard, expandable up to 5,100 sheets
- Optional Standard Finisher staples, hole punches and offset-stacks up to 50 sheets automatically
- Optional Booklet Finisher adds folding and saddle-stitch capabilities, along with automatic overlap adjustment, for professional results



As easy as it gets

Lexmark X860 Series MFPs are a breeze to operate. Via the 9-inch colour touch screen, you can easily access all key functions, including print, copy, fax, scan-to, and any tailored solutions you choose to add. The intuitive 'Show Me' screen graphics are another nice touch, in addition to the Direct USB port located on the operator panel.

- Touch screen icons provide easy one-touch access to basic functions and workflow applications
- On-screen 'Show Me' graphics coach users through common printing and maintenance actions
- Insert your flash drive into the convenient Direct USB port to print documents on the go, or to scan documents directly to your portable flash drive instead of making paper copies
- The MyMFP feature allows all members of your workgroup to save and retrieve their own touch screen settings on a flash drive



Lexmark X860 Series

Explore the features that keep you moving



Intuitive touch screen
Enjoy easy one-touch access to document capture and workflow functions.

Two-sided savings
Make duplex copies of single-sided documents to cut paper use in half.

Direct USB
Front-side Direct USB port offers convenient walk-up printing and scanning of image files.

Optimal security
Integrated card reader option* quickly authenticates users and enhances document security.
Contact a Lexmark representative to learn more

Booklet Finisher
This versatile option lets you create commercial-quality presentations, manuals, booklets, brochures and newsletters in-house.

Long-lasting toner
Genuine Lexmark cartridges ensure a low cost per page, fewer cartridge changes, and less waste.

Save time and money with Lexmark solutions

Consolidating all critical functions into one secure, high-performance device is an ideal way to save costs and boost efficiency. Lexmark multifunction technology takes productivity to an even greater level, offering you a wide range of intelligent applications that can dramatically enhance the way you work.

The extra-large colour e-Task touch screen gives you more than just access to basic functions; it's also an intuitive dashboard for activating automated workflow tools and streamlining repetitive office tasks – all with the simple touch of an icon.

Choose from our large portfolio of solution applications, or let us customise one for you. You'll be amazed at the efficiency and savings that Lexmark solutions deliver!

The Productivity Checklist

If you've got all these, then you've got a Lexmark!



Enormously intuitive touch screen

Lexmark's award-winning 9-inch colour e-Task touch screen gives you fast, easy access to document capture and workflow functions. Tailor it to your business requirements with the icons and shortcuts you need most. You can even change the background image to whatever suits you best, like your company logo.

Optional finishing

Save time, money and office space by eliminating preprinted documents and producing more of your print jobs on demand and in-house. Lexmark X860 Series MFPs offer all the finishing options you need to make it happen, including stapling, hole punching (2/3 or 2/4 holes), offset stacking and booklet folding with overlap adjustment.

Multitalented copying

Benefit from a rich range of advanced copy functions to boost your productivity, such as Priority Copy to interrupt long print runs temporarily; ID Card Copy to copy both sides of a card on to a single sheet; Sample Copy to proof the first copy set before printing the remaining copies; and Remote Copy, which you can use to scan colour documents on your monochrome Lexmark X860 Series MFP and retrieve them from a Lexmark colour laser printer.

Efficient traffic shaping

When you e-mail a large file from your Lexmark X860 Series MFP, it won't cause a traffic jam on your network. That's because traffic-shaping technology can partition your network traffic and designate lower bandwidth for outbound flows. This is especially useful for busy networks and externally hosted Web servers.

On-screen scan previews

Before you scan and e-mail an important image file, see how it looks and fits on the page. Should it be in colour or black and white? Is the page orientation correct? Are you sure you scanned the correct side of the page? You may also want to check the file size of the scanned document before you save or forward it. The Lexmark X860 Series lets you preview your scan and the file size, saving you time and eliminating errors.

Personalised user settings

A real efficiency booster, Lexmark's new MyMFP feature enables multiple users to save and re-access their personal settings on their hand-held flash drive, including their local address book, personal fax numbers, individual copy settings, and even their own touch-screen configuration. Simply walk up to the MFP, slide in your flash drive and the MFP literally transforms into your personal device – a warm welcome each time you use it!

Lexmark's Embedded Solutions Framework

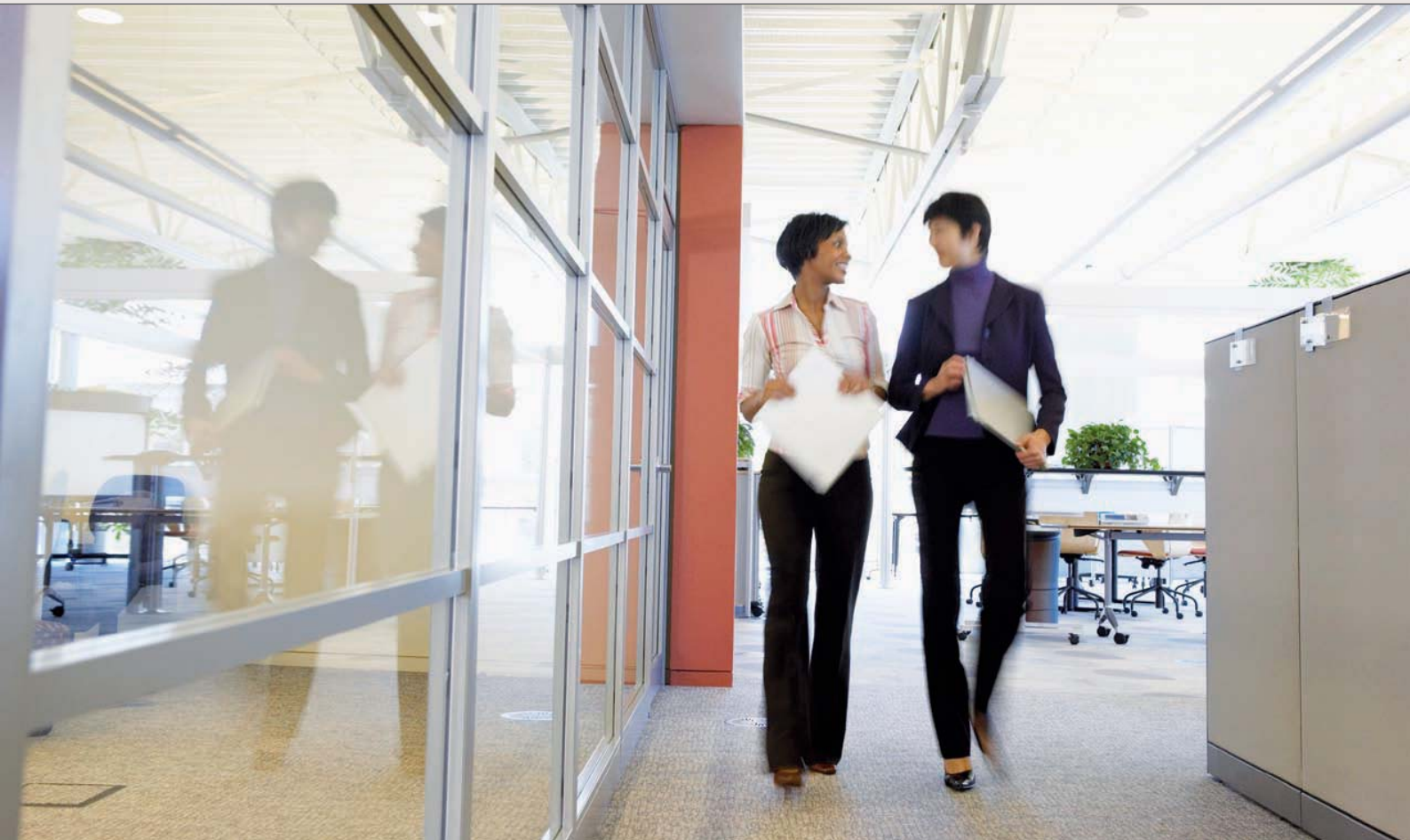
Experience more productivity than you could ever imagine! Lexmark's new MFPs come solutions-ready, so you can easily opt for one of Lexmark's leading workflow-enhancing applications, such as Forms on Demand, Print Release, Card Copy, Eco-Copy, Document Accounting and many more. These solutions are specially designed to help you lower costs, streamline your work processes and improve productivity by enabling you to move information more efficiently throughout your enterprise. To find out how Lexmark solution apps can boost your performance, call your Lexmark representative today.

Lexmark's guarantee to you

Lexmark's 2-Year Onsite warranty on the Lexmark X860 Series gives you added peace of mind. Enhanced service offerings are available by contacting your Lexmark representative or visiting www.lexmark.com.au Optimise your MFP's performance and investment value by using genuine Lexmark supplies, service and parts.

(See Lexmark Statement of Limited Warranty for full details)

Get exactly the performance you need



Lexmark X860de 3, 4

Solutions-ready departmental MFP with built-in duplex and 11 x 17 paper support

- Up to 35 ppm, as fast as 6 seconds to first page
- Duplex printing, copying and scanning
- Fax optional on X860de 3, standard on X860de 4
- Customisable 9-inch colour touch screen
- Gigabit networking and 800MHz processor
- 1,100-sheet standard input, 500-sheet output capacity
- Toner cartridge yield: 35,000* pages
- Recommended monthly volume: 10,000 to 39,000 pages

* Average standard page yield value declared in accordance with ISO/IEC 19752.



Lexmark X860de

All the benefits of the X860de 4, but with high capacity input.

- 3,100-sheet standard input, 500-sheet output capacity



Lexmark X864de

The fastest MFPs in the series and the most standard input capacity

- Up to 55 ppm, as fast as 6.5 seconds to first page
- Duplex printing, copying, scanning and faxing
- Customisable 9-inch colour touch screen
- Gigabit networking and 800MHz processor
- 3,100-sheet standard input, 500-sheet output capacity
- Toner cartridge yield: 35,000* pages
- Recommended monthly volume: 15,000 to 50,000 pages

	Lexmark X860de 4	Lexmark X862de	Lexmark X864de
Printing			
Print Technology	Monochrome Laser		
Print Speed (A4, Black): Up to	35 ppm	35 ppm	55 ppm
Time to First Page (Black)	As fast as 6 seconds	As fast as 6 seconds	As fast as 6.5 seconds
Print Resolution, Black	1200 x 1200 dpi, 2400 Image Quality, 600 x 600 dpi		
Memory, Standard	256 MB		
Memory, Maximum	1280 MB		
Print Noise Level, Operating	53 dBA	53 dBA	53 dBA
Noise Level, Idle	30 dBA		
Maximum Monthly Duty Cycle: Up to	150,000 pages per month	150,000 pages per month	300,000 pages per month
Recommended Monthly Page Volume	10,000 - 39,000 pages	10,000 - 39,000 pages	15,000 - 50,000 pages
Supplies			
Supplies Yield (*Average standard page yield value declared in accordance with ISO/IEC 19752.)	35,000*-page High Yield Toner Cartridge		
Cartridge(s) Shipping with Product	35,000*-page High Yield Toner Cartridge		
Copying			
Copy Speed (A4, Black): Up to	35 cpm	35 cpm	55 cpm
ADF Scan	RADF (Reversing Duplex)		
Scanning Resolution	600 X 600 dpi, 600 X 300 dpi (colour)		
Reduce / Enlarge Range	25 - 400 %		
Faxing			
Modem Speed	33.6 Kbps		
Paper Handling			
Paper Handling Standard	500-Sheet Output Bin, Duplex Unit, Two 500-Sheet Trays, 100-Sheet Multipurpose Feeder	500-Sheet Output Bin, Duplex Unit, Two 500-Sheet Trays, 100-Sheet Multipurpose Feeder	500-Sheet Output Bin, Duplex Unit, Two 500-Sheet Trays, 100-Sheet Multipurpose Feeder, 2,000-Sheet Dual Input
Paper Handling Optional	2,000-Sheet High-Capacity Feeder, 2,000-Sheet Dual Input, 2 x 500-Sheet Drawer, 3,500-Sheet Finisher, Booklet Finisher	2,000-Sheet High-Capacity Feeder, 3,500-Sheet Finisher, Booklet Finisher	2,000-Sheet High-Capacity Feeder, 3,500-Sheet Finisher, Booklet Finisher
Paper Input Capacity, Standard: Up to	1,100 pages 20 lb or 75 gsm bond	3,100 pages 20 lb or 75 gsm bond	3,100 pages 20 lb or 75 gsm bond
Paper Input Capacity, Maximum: Up to	5,100 pages 20 lb or 75 gsm bond	5,100 pages 20 lb or 75 gsm bond	5,100 pages 20 lb or 75 gsm bond
Paper Output Capacity, Standard: Up to	500 pages 20 lb or 75 gsm bond		
Paper Output Capacity, Maximum: Up to	3,800 pages 20 lb or 75 gsm bond		
ADF Paper Input Capacity : Up to	75 pages 20 lb or 75 gsm bond		
Media Types Supported	Card Stock, Envelopes, Paper Labels, Plain Paper, Transparencies, Refer to the Card Stock & Label Guide		
Media Sizes Supported	10 Envelope, 7 3/4 Envelope, A3, A4, A5, C5 Envelope, DL Envelope, Executive, Folio, JIS-B4, JIS-B5, Ledger, Legal, Letter, Statement, Universal		
Compatibility			
Network Protocol Support	TCP/IP IPv4, IPX/SPX, AppleTalk™, LexLink (DLC), TCP/IP IPv6, TCR, UDP		
Printer Languages (Standard)	PCL 5e Emulation, PCL 6 Emulation, Personal Printer Data Stream (PPDS), PostScript 3 Emulation, xHTML, PDF 1.6, Direct Image, Microsoft XPS (XML Paper Specification)		
Standard Ports	One Internal Card Slot, Gigabit Ethernet (10/100/1000), Hi-Speed USB Port Compatible with USB 2.0 Specification (Type B), Front Hi-Speed USB Port Compatible with USB 2.0 Specification (Type A), Rear Hi-Speed USB Port Compatible with USB 2.0 Specification (Type A)		
Microsoft Windows Operating Systems Supported	2000, XP, Server 2003, XP x64, Server 2003 running Terminal Services, 2000 Server running Terminal Services, Server 2003 x64, Server 2003 x64 running Terminal Services, Vista, Vista x64, Server 2008, Server 2008 x64, Server 2008 running Terminal Services, Server 2008 x64 running Terminal Services, Windows 7		
Apple Macintosh Operating Systems Supported	Mac OS X, Mac OS 9.2		
Other Operating Systems Supported	www.lexmark.com.au		
General			
Function	Copying, Faxing, Network Scanning, Printing		
Product Warranty	2-Year Onsite Service, Next Business Day		
Product Certifications	www.lexmark.com.au		
Size (mm - H x W x D)	803 x 641 x 705 mm	1095 x 641 x 705 mm	1095 x 641 x 705 mm
Weight (kg)	76.7 kg	106.1 kg	106.1 kg
Specified Operating Environment	Temperature: 16 to 32°C (60 to 90°F), Humidity: 8 to 80% Relative Humidity, Altitude: 0 - 3048 Meters (10,000 Feet)		

Recommended Monthly Page Volume

Recommended Monthly Page Volume is a range of pages that helps customers evaluate Lexmark's product offerings based on the average number of pages customers plan to print on the device each month. Lexmark recommends that the number of pages per month be within the stated range for optimum device performance, based on factors including: supplies replacement intervals, paper loading intervals, speed, and typical customer usage.

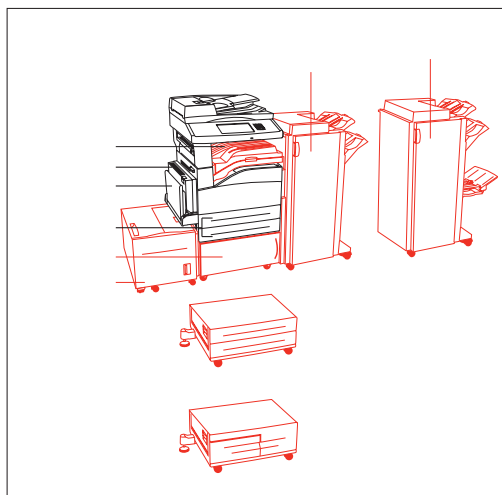
Maximum Monthly Duty Cycle

Maximum Monthly Duty Cycle is defined as the maximum number of pages a device could deliver in a month using a multishift operation. This metric provides a comparison of robustness in relation to other Lexmark printers and MFPs.

Trademarks

Lexmark and Lexmark with the diamond design are trademarks of Lexmark International, Inc., registered in the United States and/or other countries. All other trademarks are the property of their respective owners. PCL is a registered trademark of Hewlett-Packard Company. AppleTalk, Mac and Macintosh are trademarks of Apple Computer, Inc., registered in the United States and other countries. MarkNet and MarkVision are trademarks of Lexmark International, Inc., registered in the United States and/or other countries. ENERGY STAR® is a U.S. registered mark. Microsoft, Windows, the Windows logo, Windows Vista, and the Windows Vista logo are trademarks or registered trademarks of Microsoft Corporation in the United States and/or other countries. Citrix, MetaFrame and MetaFrame XP are registered trademarks or trademarks of Citrix Systems, Inc. in the U.S. and other countries. Information in this document is subject to change without notice.

Lexmark X860de 3 and Lexmark X860de 4



Paper Handling Standard
 Paper Handling Optional

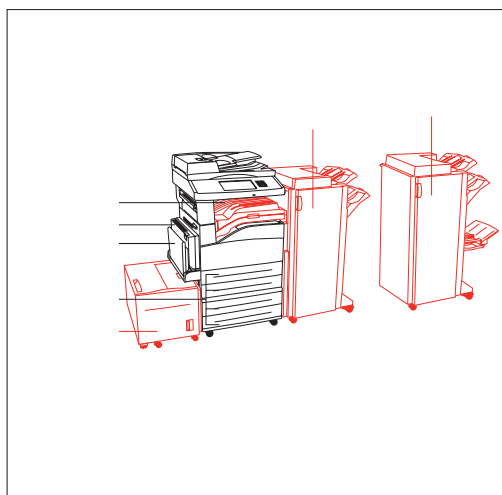
Models available:

- Lexmark X860de 3: duplex MFP NO fax function, Part #10D2311
- Lexmark X860de 4: duplex MFP with fax function, Part #10D2312

In the box

Lexmark X860de 4 Multifunction Printer with Fax, Up to 35,000*-page High Yield Toner Cartridge, Photoconductor kit, Software and documentation CD, Setup guide or sheet (network and local attachment), Power cord(s), RJ-11 Phone Cable or RJ-11 Phone Adapter(s) (country dependent), Statement of limited warranty / guarantee, Lexmark Cartridge Collection Program information, Safety sheet or booklet

Lexmark X860de



Paper Handling Standard
 Paper Handling Optional

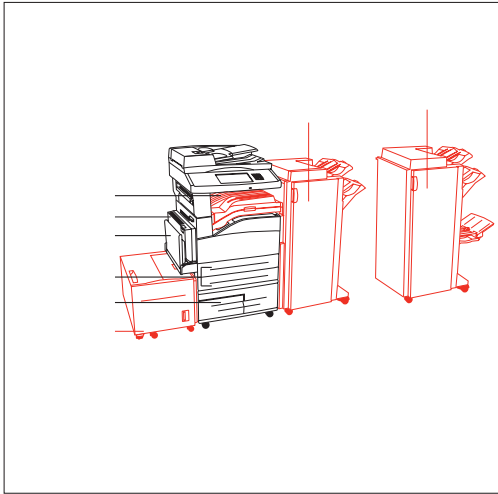
Models available:

- Lexmark X860de : duplex MFP with fax function and high capacity input, Part #10D2309

In the box

Lexmark X860de Multifunction Printer with Fax, Includes 2000-Sheet Dual Input drawer, Up to 35,000*-page High Yield Toner Cartridge, Photoconductor kit, Software and documentation CD, Setup guide or sheet (network and local attachment), Power cord(s), RJ-11 Phone Cable or RJ-11 Phone Adapter(s) (country dependent), Statement of limited warranty / guarantee, Lexmark Cartridge Collection Program information, Safety sheet or booklet

Lexmark X864de



■ Paper Handling Standard
■ Paper Handling Optional

In the box

Lexmark X864de 4 Multifunction Printer with Fax, Includes 2,000-Sheet Dual Input Drawer, Up to 35,000*-page High Yield Toner Cartridge, Photoconductor kit, Software and documentation CD, Setup guide or sheet (network and local attachment), Power cord(s), RJ-11 Phone Cable or RJ-11 Phone Adapter(s) (country dependent), Statement of limited warranty / guarantee, Safety sheet or booklet, Lexmark Cartridge Collection Program information



Environmental commitment

Lexmark believes that the environment is a critical component of responsible business management and clearly demonstrates it by implementing the "4R" strategy: Reduce, Recover, Reuse and Recycle. To learn more about these programs please visit www.lexmark.com/recycle.

